

OE Lighting technical data

LED FLOODLIGHT

Create new gree life - Energy saving/Healthy/Eco-friendly



www.oe-lighting.com

LED FLOODLIGHT



Model No.	Watts(W)	Light Output(lm)	Voltage(V)	Light Color(K)	Beam Angle(Degree)
LED61069-CW	20	1600	AC100-240	6000-6500	60/120
LED61069-WW	20	1600	AC100-240	3000-3200	60/120
LED61069-W	20	1600	AC100-240	3700-4200	60/120

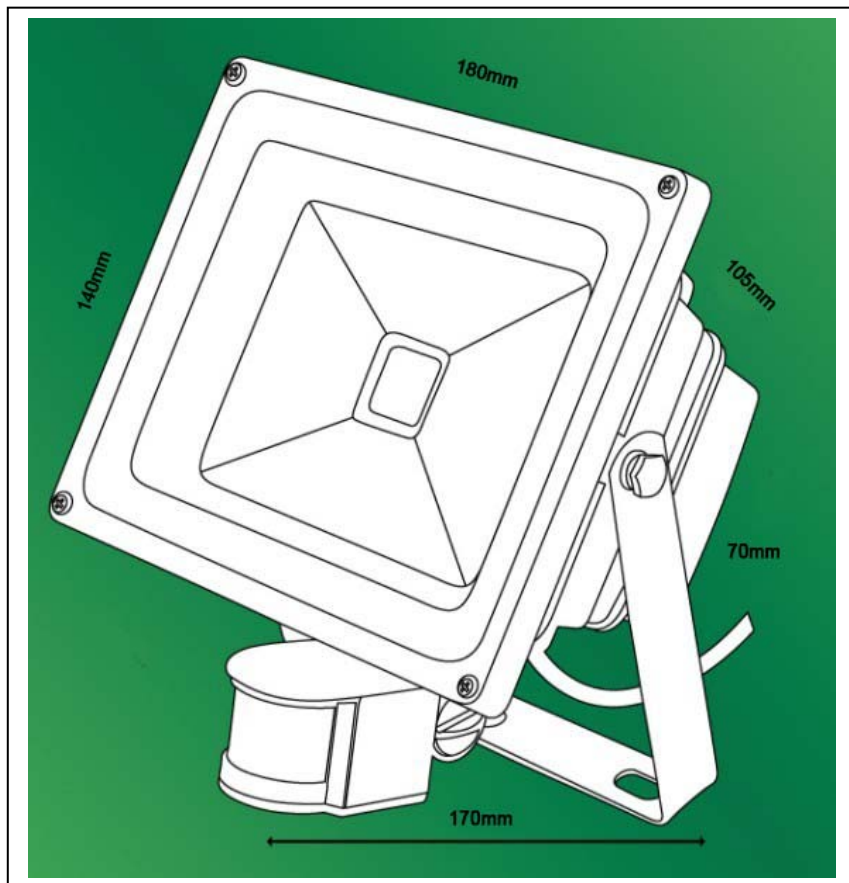
Specifications	Values
Operational Temperature Range	-20~40°C
Material	Aluminum + Glass
LED Chip	Epistar LED
Color	Grey/Black
IP rating	IP65
Installation Area	Outdoor, Park, garden, square, etc

Item	Test Conditions	Min.	Typ.	Max.
Input Voltage (V. rms)	AC	100	220	240
Input current (mA, rms)	AC220V	---	91	---
Input Power (W, rms)	AC(all)	---	20	----
Input Frequency (Hz)	AC	---	50/60Hz	---
Power Factor (PF)	AC(all)	---		
Output voltage (V)	DC	---	---	---
Output current (A)	DC	---	---	---
Output power (W)	DC	---	---	---

LED FLOODLIGHT



Drawing



Packing

Weight/carton	13.5/14.5kg
Size of box	185*210*140mm
Size of Carton	57.5*43*30CM
Qty/ Carton	12PCS

LED FLOODLIGHT



OE-LED61069

Category	Specifications	Unit
Watts	20	W
Lumens per Watt(Efficacy)	80	Lm/W
Light Output	1600	lm
Light Color(CCT)	3000-6500	K
Beam Angle	120	'(degree)
Color Accuracy(CRI)	70	Ra
Product Weight	1000	G
Rating Life	30000	H
Base	Line interface	
Input Voltage(AC)	100-240	V

Goniophotometer Test Report

